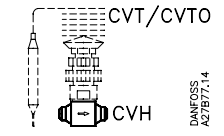
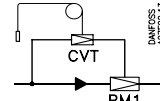
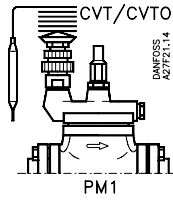


027R9590

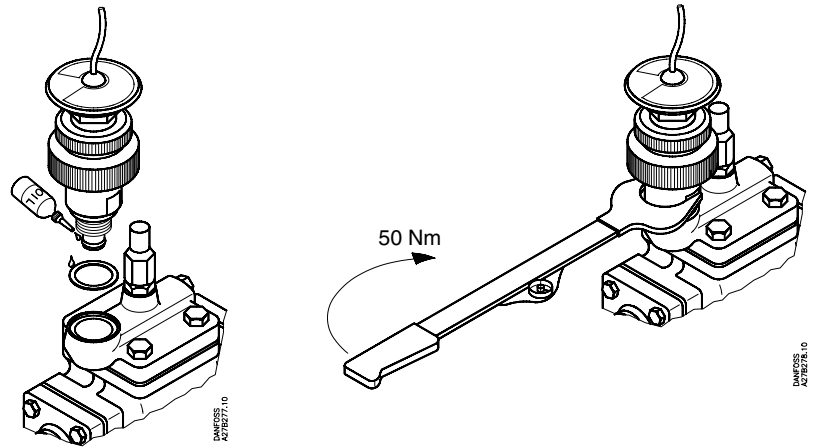
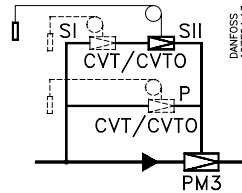
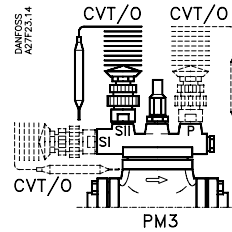
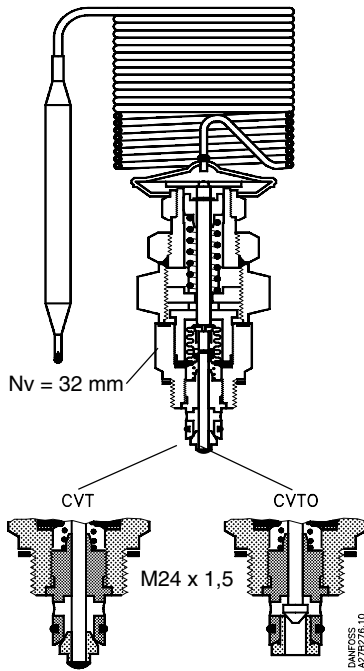
R 717, R 22, R 134a, R 404A etc.

Range:

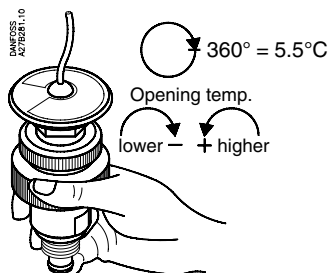
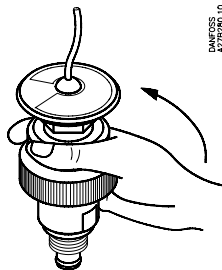
- 40 → 0 °C
- 10 → 25 °C
- 20 → 60 °C
- 80 → 140 °C



027R9590

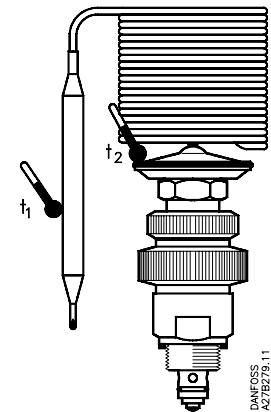
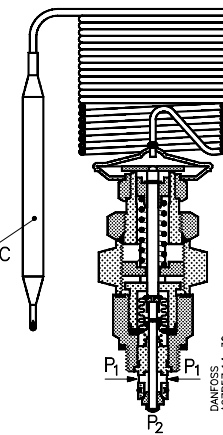


Range	
-40 → 0 °C	-30 °C
-10 → 25 °C	0 °C
20 → 60 °C	30 °C
80 → 140 °C	90 °C



PB/MWP  
= 19 bar  
 $\Delta p = P_1 - P_2$   
= max. 8 bar

Max. 150 °C



$t_1 > t_2$   
 $t_1 = t_2$  — Permitted  
 $t_1 < t_2$

